

RUFF LITE TROUBLE LIGHTS

Ruff Lites

- Magnified end light
- Cool operation
- Clear outer tube
- Adjustable steel hanger
- CUL Approved
- 10,000 hours rated "rough service" lamp
- Oil resistant all weather 18 gauge cord
- Directional non-glare reflector
- Energy efficient, shock resistant



3613-4074AL



1113 -0101AL



1113 -2572AL

| Model | Description | Cord Specs |
|--------------|---------------------------|--------------|
| 1113 -0101AL | Fluorescent on a 1' cord | SJTOW-A 18/2 |
| 1113 -2572AL | Fluorescent on a 25' cord | SJTOW-A 18/2 |
| 1113 -5029AL | Fluorescent on a 50' cord | SJTOW-A 18/2 |
| 3613-4074AL | Fluorescent on a 40' reel | SJTOW-A 18/2 |

INDUSTRIAL GRADE LED WORK LIGHTS

LED Ruff Lites

The new generation of LEDs found in our Ruff light makes the light brighter than a 13 watt fluorescent and matches the light pattern of a fluorescent.

This LED Ruff light has our standard chemical and scratch resistant outer tube. As with all Aligncraft products, a full compliment of replacement parts are available.

Features:

- Two 4-watt 110° angle bright white LEDs provide 5,000K light and are rated at 50,000 hours
- One-watt high output LED provides a bright flashlight out the end
- Three large octagonal shaped bumpers provide impact protection to the fixture and helps prevent the unit from rolling when it is laid down
- Covered on-off switch in the handle
- CUL approved
- Adjustable steel hook
- Oil resistant all weather cord
- Made in North America



| Model | Description | Cord Specs |
|-------------|--|------------|
| AL1940-8018 | LED, with end light 40' cord reel | 18/2 SJTOW |
| AL5165-0212 | Head Kit with end light | |
| AL5000-6342 | LED lens assembly complete with bumper and reflector | |

POWER SUPPLY REELS



2630-3000 - Power Supply Reel

- 30 ft. 16-3SJT Cord
- 10 Amp rated triple outlet with circuit breaker
- CSA Listed

2200-3000 - Power Supply Reel

- 40 ft. 12/3 SJTW Cord
- 15 Amps.
- CUL Approved
- Circuit breaker located in the triple outlet protects the reel from being overloaded
- Reel housing is made of a special blend of plastics that is tougher than polycarbonate
- Plastic reel components have a VO fire rating (unable to sustain a flame)



1113-0101AL - pigtail light

2635-1000AL Quick Release Power Supply Reel

- 35 ft. 16/3 SJTOW cord with safety loc outlet
- 10 Amps.
- CUL approved
- Locking feature prevents accidental unplugging at the worst possible time! (Works like a quick disconnect air hose coupler)
- Perfect for use with 1113-0101AL pigtail light

PARTS

5165-9520/9529 - Head Kit

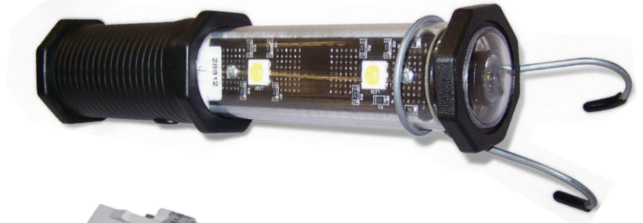
5165-9520 - Complete with ballast in handle
 5165-9529 - Without ballast

- The head kit comes as a complete unit ready to wire into your existing reel and switch on.
- Complete with rough service bulb.



5165-0212AL- LED Head Kit

• The head kit comes as a complete unit ready to wire into your existing reel and switch on.



654501 - Rough Service Bulb

- Our 13-watt fluorescent bulb is a patented rough service lamp that is 10 times more impact resistant than non-rough service bulbs.
- The bulb has been injected with silicone at its base. This process not only substantially strengthens the bulb but also results in a much whiter and brighter light and cooler operation.



6560-1601 - Lens Assembly

5000-6342AL - LED Lens Assembly

- A complete lens assembly ready to install.
- The polycarbonate shatter resistant outer lens comes complete with the top bumper and reflector already installed.



LH Replacement Sleeve

This adjustable sleeve is designed to replace the knurled adjusting sleeve on 1998 and up Chrysler LHS, Concorde, 300M and the Dodge Intrepid.

| Application | Year | Part No. |
|--|-----------|----------|
| Chrysler: 300M, Concorde LHS | 1998 - 04 | 15500 |
| Dodge: Intrepid | 1998 - 04 | 15500 |

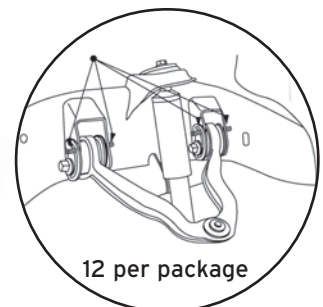


Part No. 15500

Alignment Cam Guide Pins

- OE Guide pin brake off and there is no OE replacement pin
- Fast and easy to install
- 4X4 and 4X2 applications

| Application | Year | Part No. |
|---|-------------|----------|
| General Motors: Chevy Truck 4X4 & 4X2 GMC Truck Hummer H2 | 1999 - 2011 | 15505 |



12 per package