

PARTS

5165-9520/9529 - Head Kit

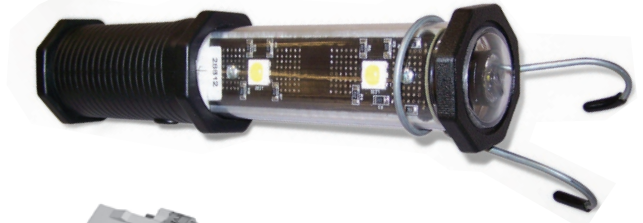
5165-9520 - Complete with ballast in handle
 5165-9529 - Without ballast

- The head kit comes as a complete unit ready to wire into your existing reel and switch on.
- Complete with rough service bulb.



5165-0212AL- LED Head Kit

• The head kit comes as a complete unit ready to wire into your existing reel and switch on.



654501 - Rough Service Bulb

- Our 13-watt fluorescent bulb is a patented rough service lamp that is 10 times more impact resistant than non-rough service bulbs.
- The bulb has been injected with silicone at its base. This process not only substantially strengthens the bulb but also results in a much whiter and brighter light and cooler operation.



6560-1601 - Lens Assembly

5000-6342AL - LED Lens Assembly

- A complete lens assembly ready to install.
- The polycarbonate shatter resistant outer lens comes complete with the top bumper and reflector already installed.



LH Replacement Sleeve

This adjustable sleeve is designed to replace the knurled adjusting sleeve on 1998 and up Chrysler LHS, Concorde, 300M and the Dodge Intrepid.

Application	Year	Part No.
Chrysler: 300M, Concorde LHS	1998 - 04	15500
Dodge: Intrepid	1998 - 04	15500

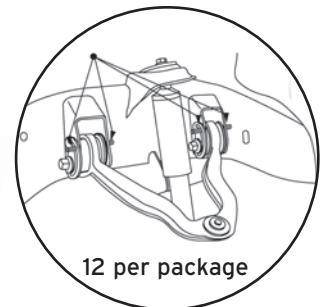


Part No. 15500

Alignment Cam Guide Pins

- OE Guide pin brake off and there is no OE replacement pin
- Fast and easy to install
- 4X4 and 4X2 applications

Application	Year	Part No.
General Motors: Chevy Truck 4X4 & 4X2 GMC Truck Hummer H2	1999 - 2011	15505



12 per package